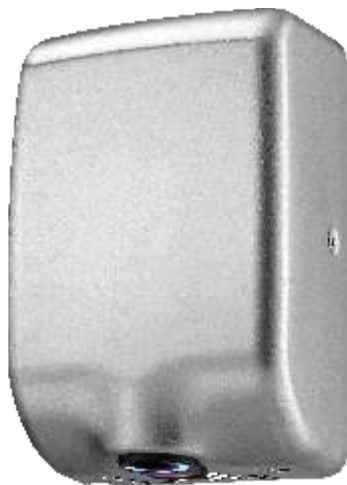




**dexPro**

## Feisty Compact High Speed Hand Dryer



Tel: 01244 631370 Email: [info@dexprouk.com](mailto:info@dexprouk.com)



**PLEASE READ CAREFULLY THROUGH THIS MANUAL BEFORE USING  
THE PRODUCT, OBSERVING ALL SAFETY INFORMATION, WARNINGS.**

V1 May 21

## SAFETY WARNINGS

Before installing, be sure to read this installation manual and retain for future reference.

The electrical installation must be carried out by a qualified electrician in accordance with the latest edition of the IEE wiring regulations.

Turn off the power at the main switch before installing or servicing the dryer unit

The dryer must not be installed on a flammable surface. Do not damage any parts of the electrical connections.

Electrical connection should be made to the fixed wiring of the property via a double pole switched fused spur. This product must be earthed.

Do not install the dryer over a washbasin. If the power cord is damaged, it must be repaired by qualified personnel to avoid any type of risk.

This dryer can be used by children aged 8 years and above. People with reduced physical, sensory or mental abilities or lack of experience and knowledge, if they have been given supervision and appropriate training regarding the use of the dryer in a safe manner, can use it with no restriction. Children should not play with the apparatus. Cleaning and maintenance performed by the owner should not be done without the children having supervision.

During use, temperatures above 158°F [70°C] may develop in the parts near the hot air nozzle. Do not touch or cover the dryer during use or when finished using it.

### General safety information:

**⚠ WARNING** Installation of this product must be carried out by a qualified electrician and in accordance with the latest edition of the IEE wiring regulations.

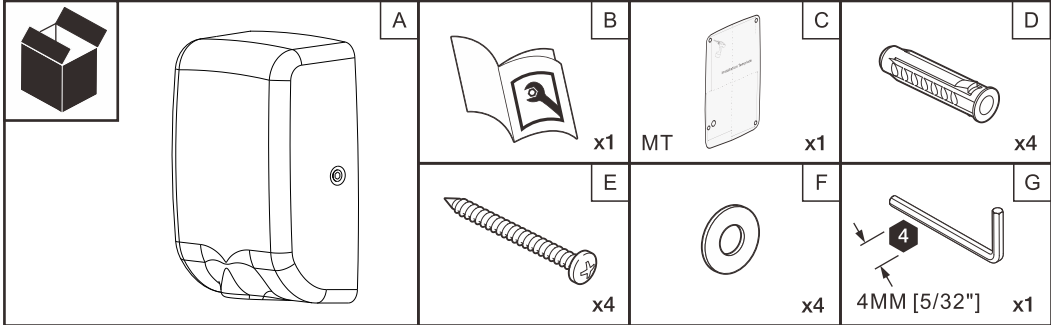
**⚠ WARNING** Isolate the power supply before any electrical work or wiring of the product.

**⚠ DANGER** This product must be earthed. Failure to properly earth the unit could result in electrical shock and / or death.


--**N**OTE: Do not install dryer over washbasin --

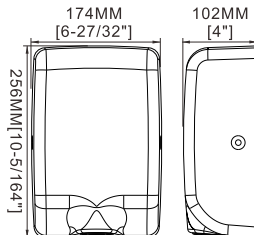
# PACKING LIST

ITEM KEY	ITEM DESCRIPTION	ITEM QTY	NOTES
A	Hand Dryer Unit Complete	1	Stainless Steel 304 Cover&Cabinet
B	Owner Manual(OM - this booklet)	1	
C	Mounting Template(MT)	1	
D	Wall Anchors, Expansion	4	Φ8x38MM [ 5/16" Dia.x 1-1/2"], for#10
E	Self-threading Phillips PH Screws	4	M5x36MM [ No.10 AB x 1-3/16"]
F	Flat Washer	4	F1 For M5[No.10 AB]Phillips PH Screws
G	Hex Key (for cover screws)	1	For 4MM[ 5/32"] hex socket FH Screws



# SPECIFICATION

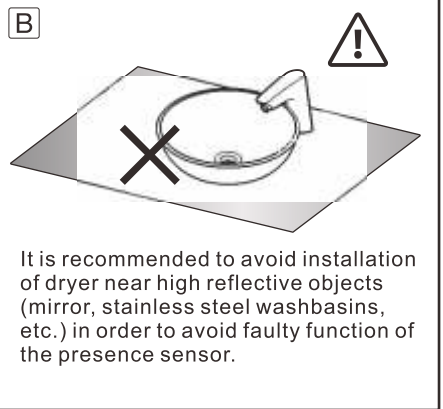
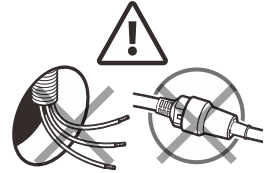
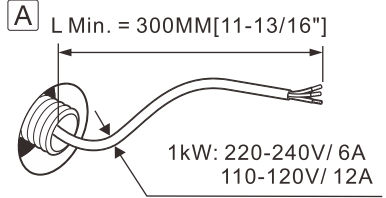
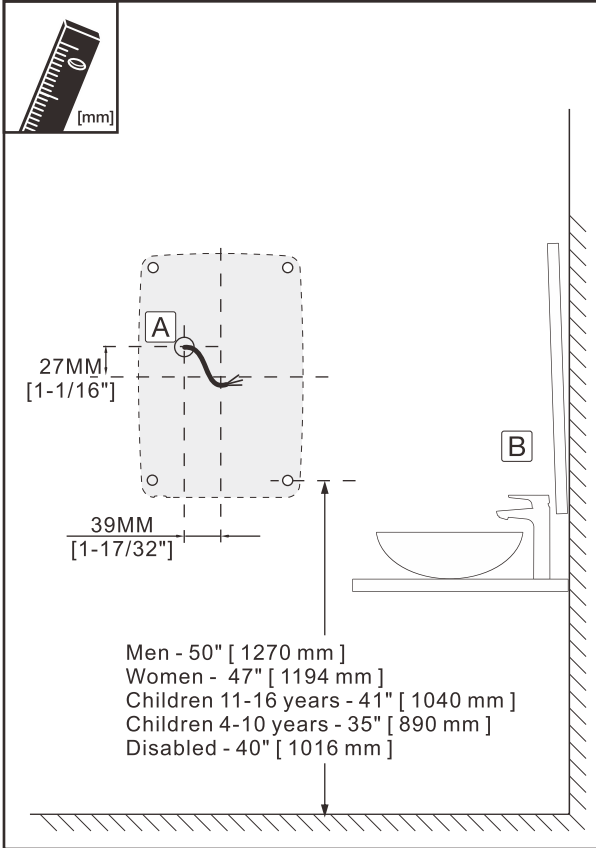
- Voltage:** 220V-240V 50/60Hz,4A/1000W }  **ONLY** be used on same voltage as product rated label marked.  
110V-120V 60Hz, 8A/1000W
- Stand-by Power:** Less than 2.0W
- Air Temperature:** 40°C[104°F](Distance from nozzle=100MM[4"],Room Temp.=25°C[77°F])
- Air Velocity:** 100M/S[328 FT/S] / 360KM/H[224MPH]
- Air Flow:** 130M<sup>3</sup>/H[76.5CFM]
- Drying Time:** 10-12 Seconds
- Timing Protection:** Forced Hold-On 60 Seconds auto shut-off
- Timing Duration:** Auto Shut-Off ≤3 Seconds after last sensor read
- Sensor Range:** 5-15CM[2"~ 5-7/8"], Owner Adjustable
- Fuse Protection:** 1kW,Main PCB, Φ5x20, 250V, 6A[230V] / 12A[120V]
- Protection Level:** IP23
- Electric Isolation:** CLASS I
- Brush Motor:** 35000RPM, 600W[0.8HP]
- Noise [at 1M]:** 74dB
- Weight :** 2.5KG[5.5lb]/Net Weight / 3.0KG[6.6lb]/Shipping Weight



# BEFORE INSTALLATION

Installation must be carried out by a qualified electrician and in accordance with the latest edition of the IEE wiring regulations.

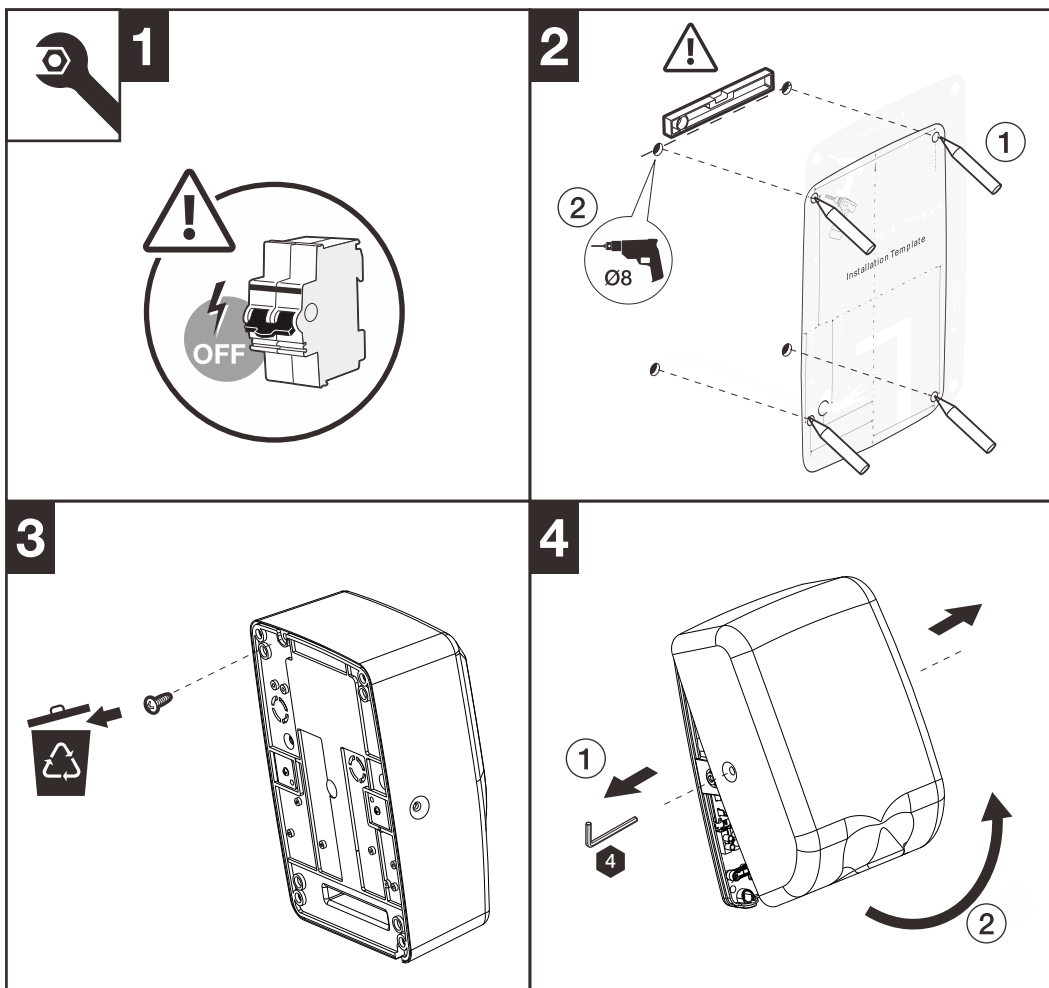
Electrical connection should be made to the fixed wiring of the property via a double pole switched fused spur.



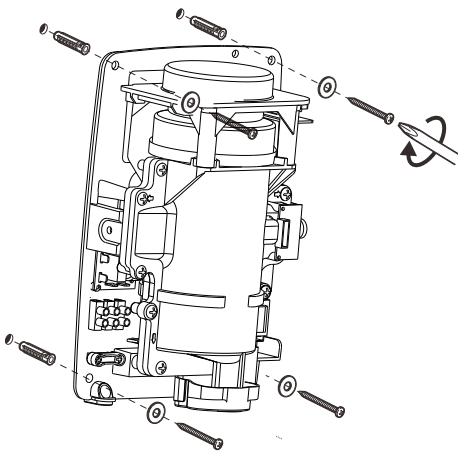
\* Recommended

## INSTALLATION

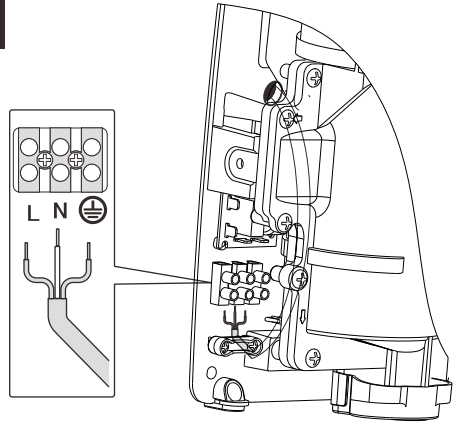
1. Isolate the power supply before any electrical work or wiring of the product.
2. Place template against wall at desired height(see mounting height recommendations) and mark locations of 4 mounting holes Dia. 8mm(5/16").
3. Remove hand dryer back transportation only purpose screw.
4. Remove and retain 2 side security hex cover screws and cover.
5. Mount the hand dryer base on the wall.
6. If the hand dryer is supplied in hardwired:
  - a. Connect the live wire(Coloured Brown, Red, or Black) to the terminal block marked "L".
  - b. Connect the neutral wire(Coloured Black, Blue) to the terminal block marked "N".
  - c. Connect the ground wire(Coloured Green or Yellow) to the terminal block marked "E".
7. Before replacing cover, there is a customized option to run the dryer heater on (1000W) or heater off(600W).The switch is clearly marked.
8. Default setting is 12-15CM from nozzle. If it needs and please adjust its range.
9. Replace cover. Do not over-tighten screws.
10. Connect the hand dryer plug to the power supply socket if needed then turn on power.



5

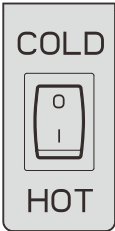
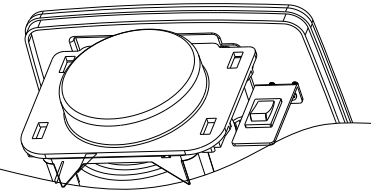


6



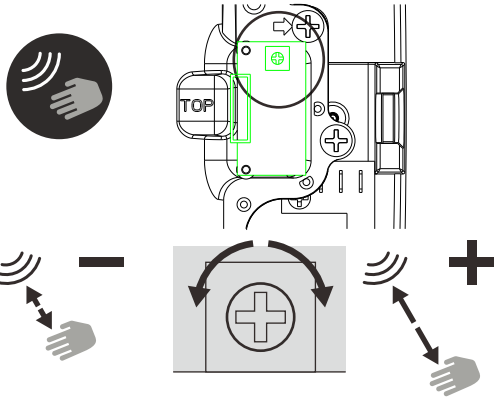
7

HOT AIR ON/OFF [For No UL product only]



8

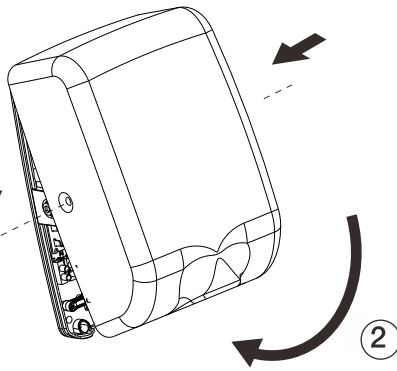
DETECTION DISTANCE SETTING



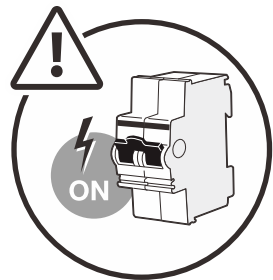
9

1

3  
4



10



## OPERATION

No-touch operation.

There is a blue LED light to guide user to the air flow.

Shake excess water from hands.

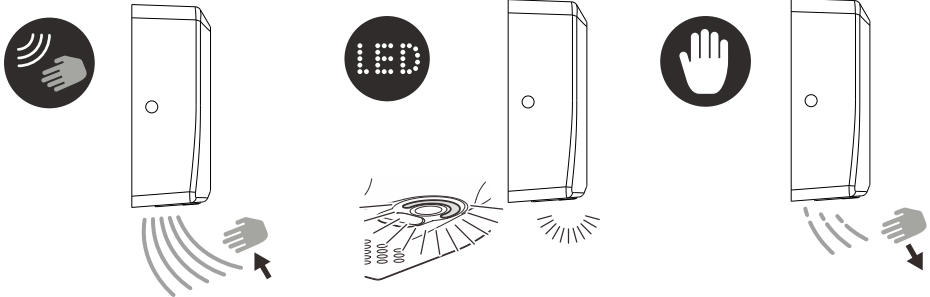
Place hands under the outlet to start operation.

Rub hands lightly and rapidly.

Stops automatically after hands are removed.



### Basic use

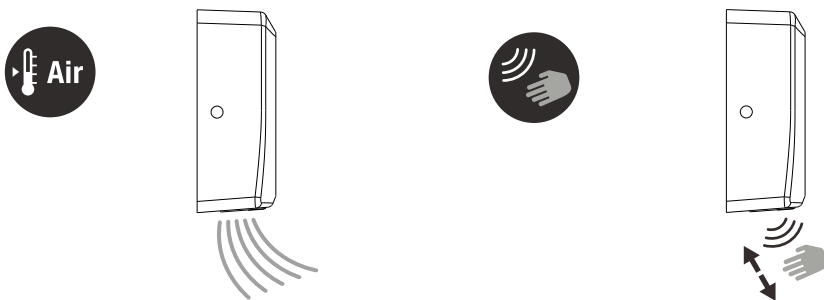


*Operation without touching, place your hands under the exit to activate the device.*

*There is a blue LED light to guide the user towards the air flow.*

*After several seconds without detecting hands, the equipment stops automatically.*

## ADJUSTMENTS



*It is possible to turn on/off hot air with a switch located inside the unit (see section 7 in "Installation").*

*It is possible to adjust the detection distance by means of the potentiometer located inside the unit (see section 8 in "Installation").*

## MAINTENANCE

- Periodic cleaning of the unit is recommended.
- Remove cover and clean dryer dust lint.
- Wipe the cover with a damp cloth and mildcleaning solution. Do not soak.
- Never use abrasives to clean the cover.

## DIAGNOSTICS & REMEDIES

SYMPTOM	CORRECTIVE ACTION
Hand dryer fails to start	Ensure the breaker supplying the dryer is operational. If it is, disconnect the power and remove the hand dryer cover. Check all the wire connection to sure they are well fixed. Turn on power and if it does not work then replace circuit board. Turn motor blower several times by hand to see it is blocked.
Hand dryer turns on/off erratically or not sensitive enough	Ensure that there is no obstruction on or in front of the infrared sensor zone. Clean any dirty off the sensor lens. Try adjusting the sensitivity potentiometer on program board. If not still not work, replace circuit board and sensor board.
Not hot air	Check if the heat element switch is power on. Check if the heat element was broken. If yes, replace a new one.
Hand dryer makes ticking noise	Check the motor brush worn condition. Replace them or a new motor.

## WARRANTY

This hand dryer has a 1 year warranty from the date of purchase for any manufacturing defect. It covers replacement of defective parts, except when caused by improper use.

Before taking any action in the event of a fault, contact our customer service team who will assist you. The products serial number and proof of purchase must be provided. In the event of a faulty product, deXpro will replace faulty parts or at its sole discretion replace the product.

Labour costs and consequential losses are excluded.

Tel: 01244 631370 Email: [info@dexprouk.com](mailto:info@dexprouk.com)



## MAINTENANCE

Periodic cleaning of the unit is recommended. Remove cover and clean dryer dust lint.

### Cleaning stainless steel

Stainless steel is highly resistant to rust, but there are some very strict cleaning and maintenance rules to be followed to prevent damage to its appearance.

#### General cleaning tips

Apply neutral detergents formulated for these purposes (non-ionic surfactants and citric acid).

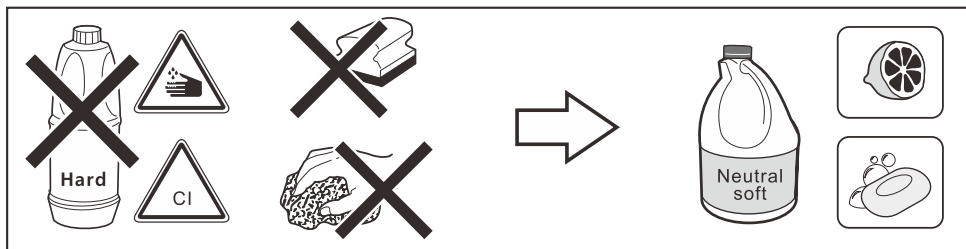
Apply the detergent with soft cloth. Be careful with abrasive cloths. They may scratch the surface.

Rinse with water until all the detergent has gone.

Residue from hygiene products, liquid soap, shampoos, bath gel, etc, can also damage surfaces.

Rinse the surface with plenty of water after use.

Limescale stains can be prevented by drying the surface with a soft cloth after use.



#### Specific cleaning tips

Limescale from mains water: Apply a solution of one part vinegar and three parts water directly to the stains and leave to work for a few minutes. Then rub with a soft cloth or damp sponge. Then give it a final wash with plenty of water and neutral soap to ensure it is thoroughly rinsed.

Unacceptable practices (loss of guarantee)

- Do not apply detergents with abrasive products or which contain:

Hydrochloric acid

Sodium hypochlorite (bleach)

Formic acid.

- Do not use abrasive utensils like metal scouring pads or abrasive sponges.

- Do not spray the detergent on the surface, because the liquid can get into the openings or cracks in them and cause damage.

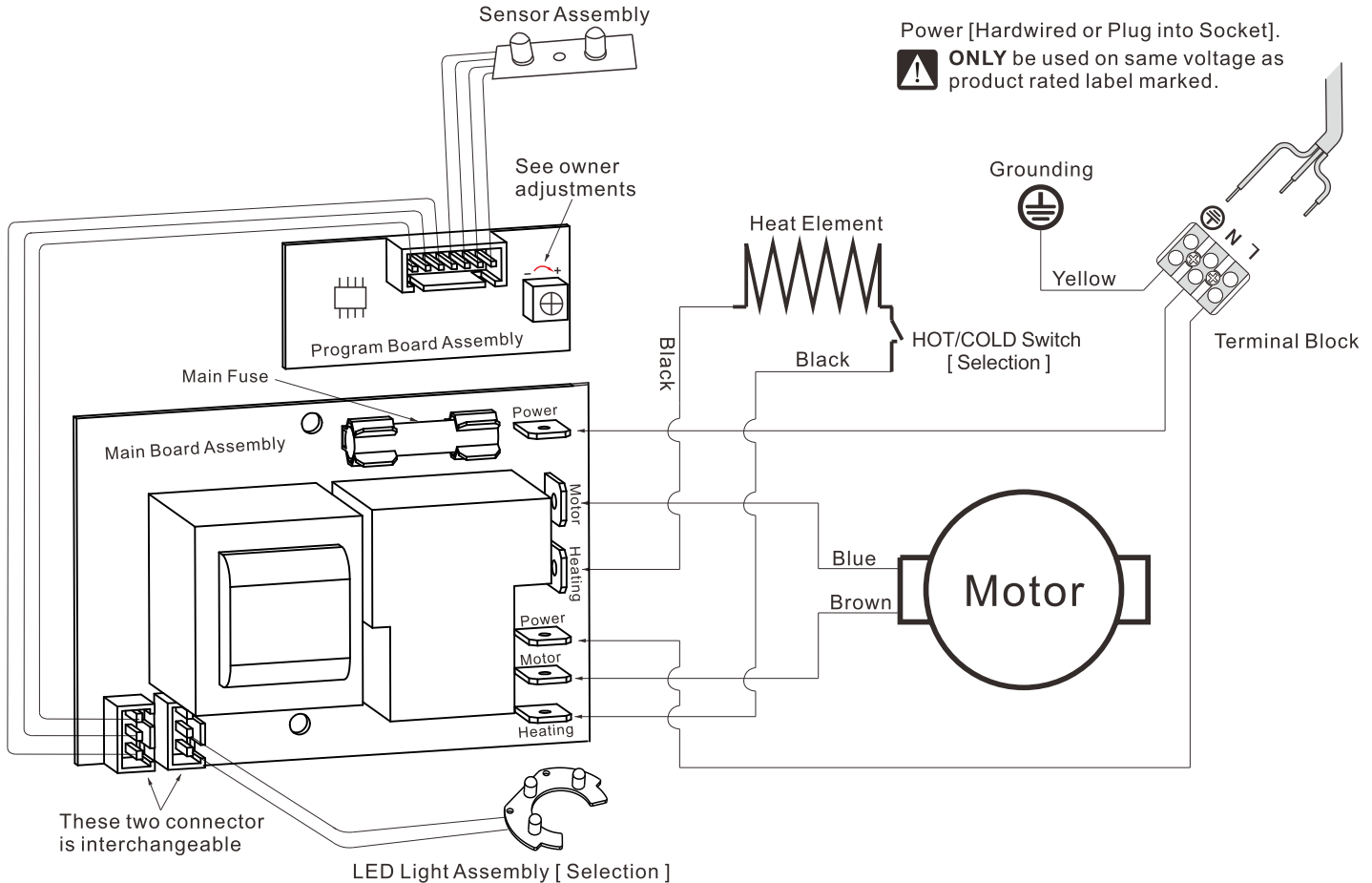
- Do not use anti-limescale and descaling cleaning products. They are not suitable for cleaning satin less steel.

- Do not use silver cleaners, contain chlorides that attach stainless steel.

#### Warning. Important to avoid (loss of guarantee)

Bleach and descalers are often applied to bathroom equipment and left to work for a time. This leads to the release of gases that contain chloride, which together with the water in the surface cause chlorides to run down the surface of the stainless steel. This rusts both internal and external surfaces.

# DIAGRAM BY STANDARD CIRCUIT BOARD



# Surface-Mounted ADA-Compliant

